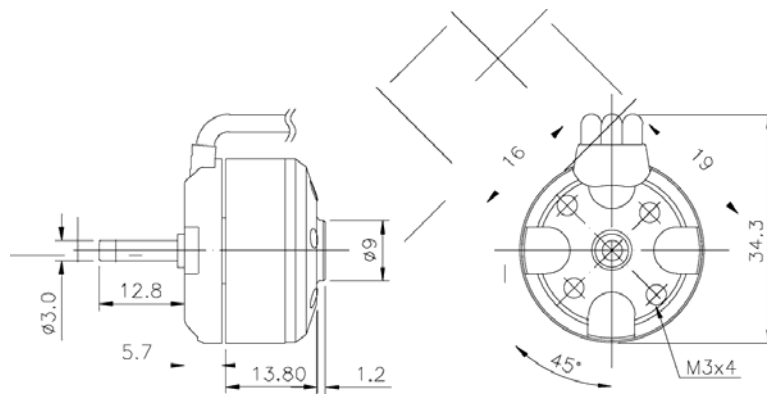


*RCmart International, Inc.*

<b>BLM-8mm– KV 950 Specificati</b>	
<b>Outrunner Brushless Motor 8mm</b>	
No. Of cells	8-10
RPM/V	2 - 3x Li-Poly 950 RMP/V
Max. efficiency	81%
Max. efficiency current	5 - 9A (>74%)
Internal Resistance	350 mohm
No load current / 10 V	0,65 A
Current capacity	12 A/60 s
Dimensions	25,7x26 mm
Shaft diameter	3,17 mm
Weight with cables	45 g
Recomended model weight	300 - 580 g
Recomended prop without gearbox	2xLi 10"x5" 3xLi 9"x5" 10 cells 8,5"x5"



Unit: mm