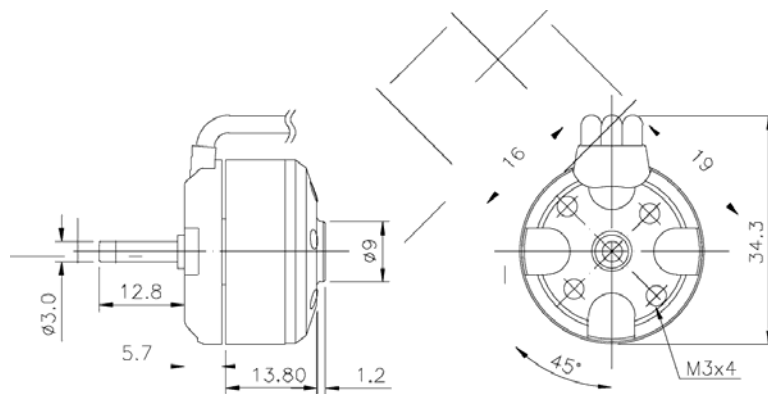


RCmart International, Inc.

BLM-8mm– KV 1,850 Specification Outrunner Brushless Motor 8mm - High RPM	
No. Of cells	8-10
RPM/V	2 - 3x Li-Poly 1850 RMP/V
Max. efficiency	81%
Max. efficiency current	6 - 11A (>74%)
Internal Resistance	200 mohm
No load current / 10 V	0,75 A
Current capacity	13 A/60 s
Dimensions	25,7x26 mm
Shaft diameter	3,17 mm
Weight with cables	45 g
Recomended model weight	300 - 620 g
Recomended prop without gearbox	2xLi 10"x5" 3xLi 9"x5" 10 cells 8,5"x5"



Unit: mm