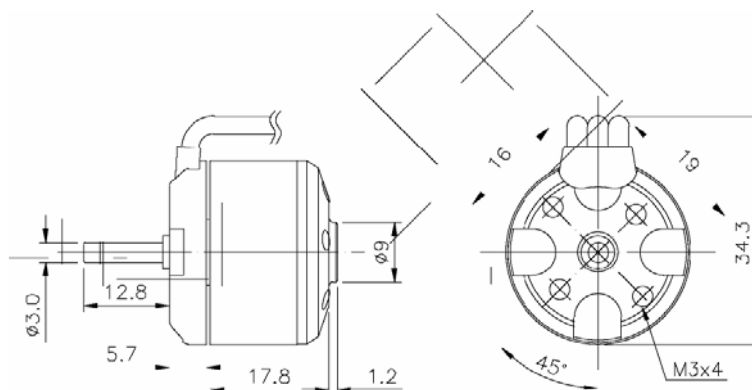


## RCmart International, Inc.

### BLM-12mm– KV 1,600 Specification Outrunner Brushless Motor 12mm - High RPM

No. Of cells	6-8
RPM/V	2 - 3x Li-Poly 1600 RMP/V
Max. efficiency	80%
Max. efficiency current	8 - 16 A (>73%)
Internal Resistance	210 mohm
No load current / 10 V	0,95 A
Current capacity	14 A/60 s
Dimensions	27,7x30 mm
Shaft diameter	3,17 mm
Weight with cables	57 g
Recomended model weight	300 - 700 g
Recomended prop without gearbox	7 cells (2xLi) 10,5"x6" 8 cells 10"x6" 3xLi 10"x5"



Unit: mm